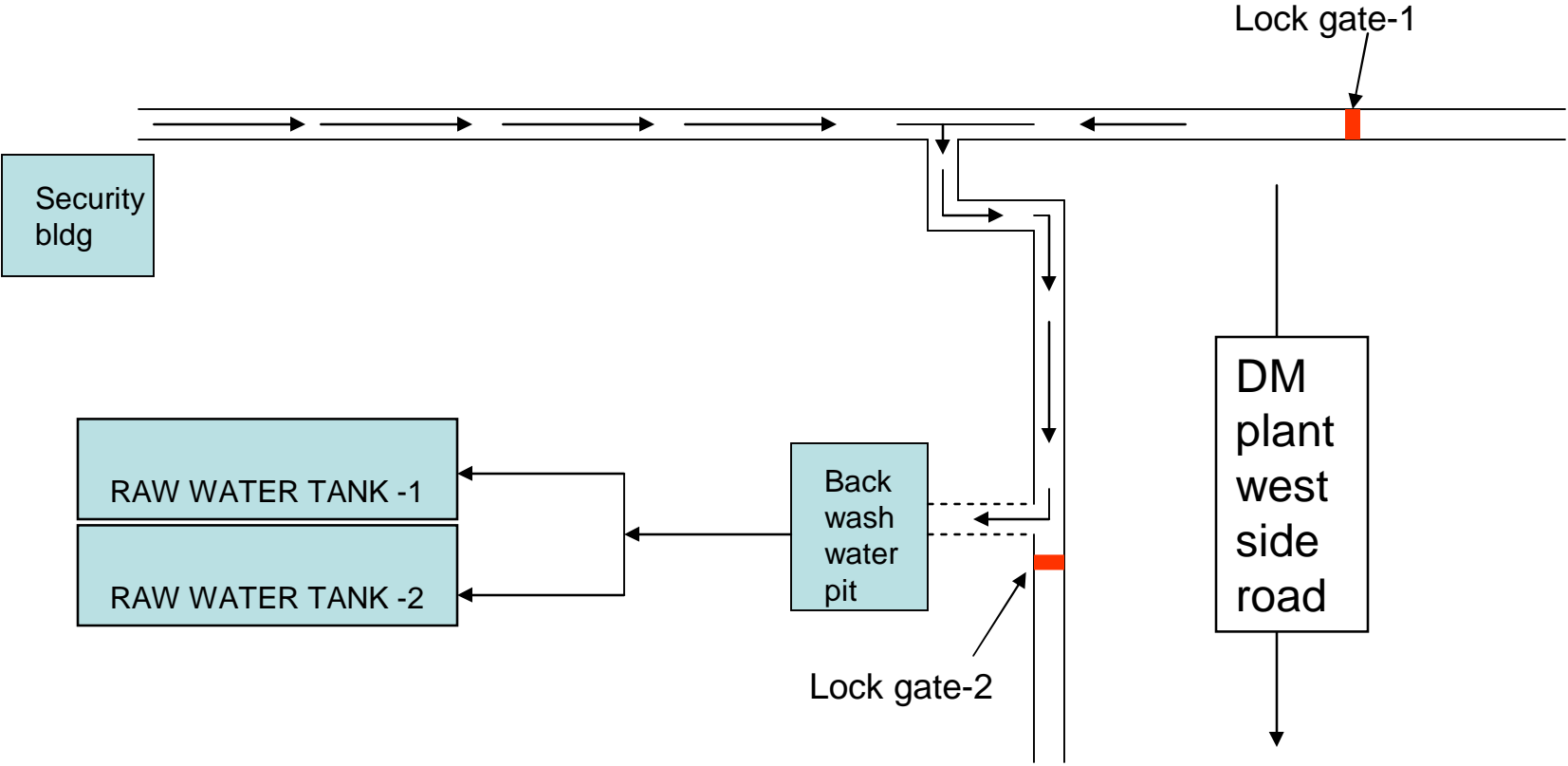


RAIN WATER HARVESTING SCHEME



SCHEME FOR RAIN WATER HARVESTING

Water is a precious resource and it must be conserved. Rainwater harvesting can be done by using the roof tops of buildings in the plant premises as catchment areas. The approximate roof top areas of the buildings have been enlisted below.

Sl. No.	Name of the Building	Approximate Roof Top Area (m²)
1	Bagging Plant	11000
2	DM Plant	3500
3	Central Stores	3000
4	Workshop	2200
5	Technical Building and Laboratory	2200
6	H Block	1400
7	Chemical House (PTP)	1100
8	Raw Water and Fire Water Pump House	600
9	Fire and Safety	430
10	OHC	430
Total Rain Water Harvesting Potential (Assuming 1m annual rainfall)		25860 m³