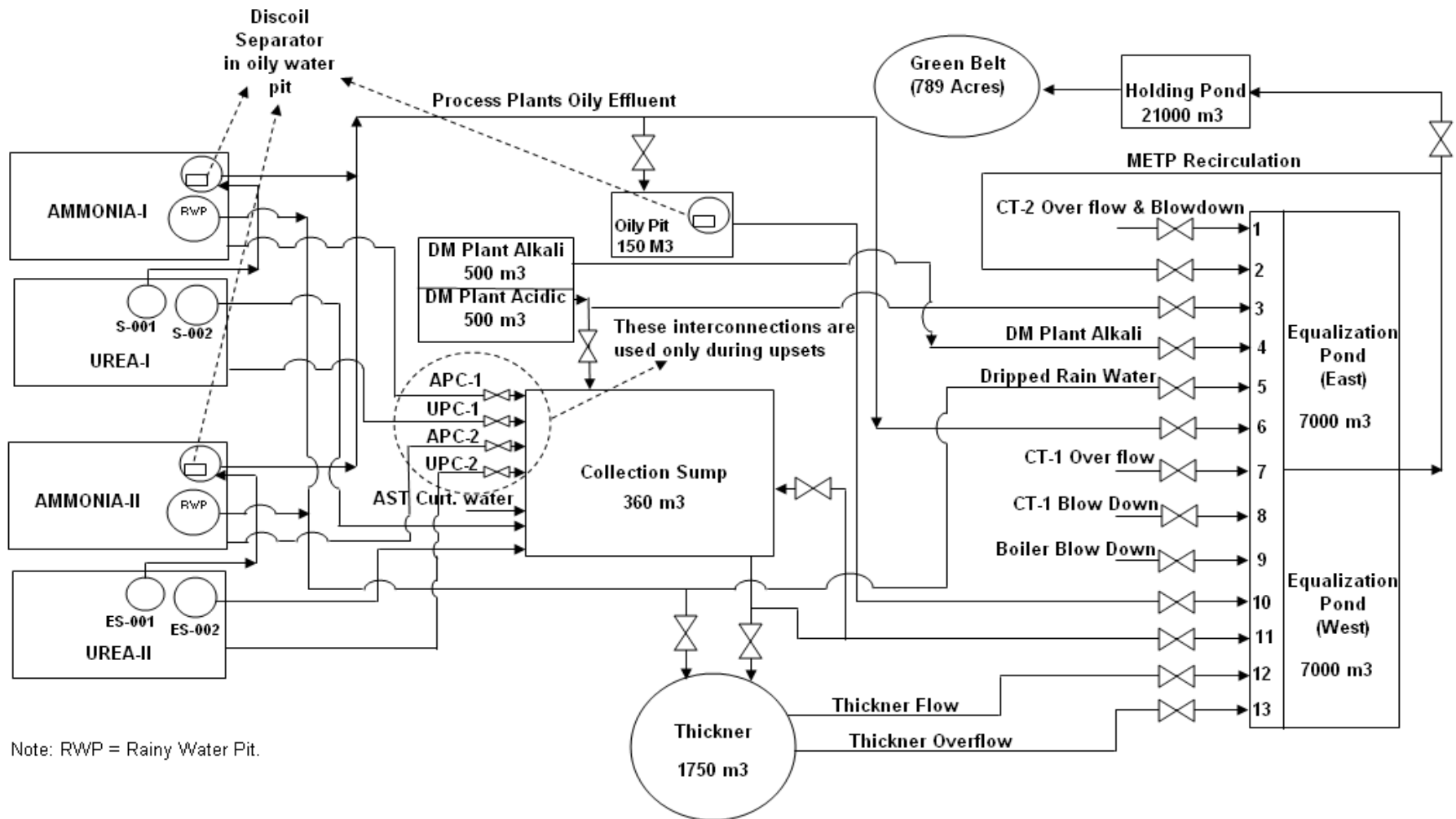


Effluent Water Treatment Schematic at NFCL Complex



Note: RWP = Rainy Water Pit.